

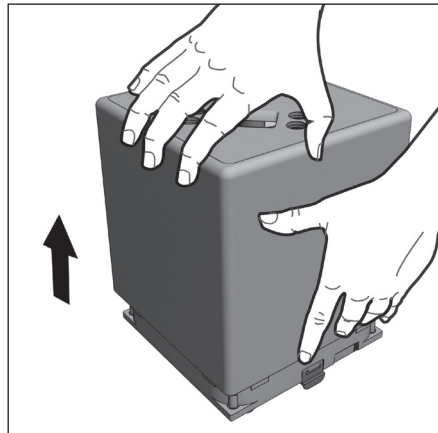
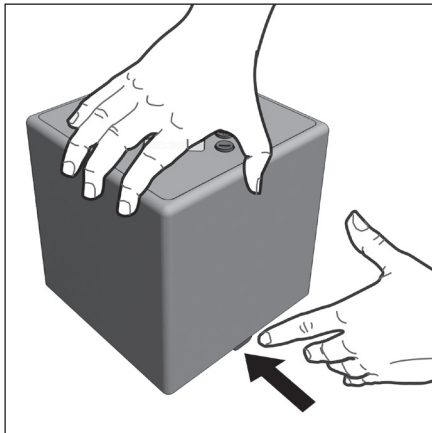
AQ150 Quick Start Guide

Original Instructions

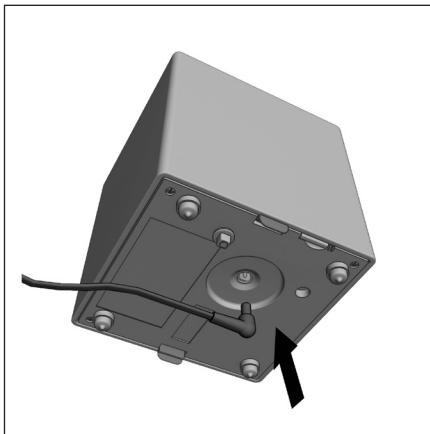
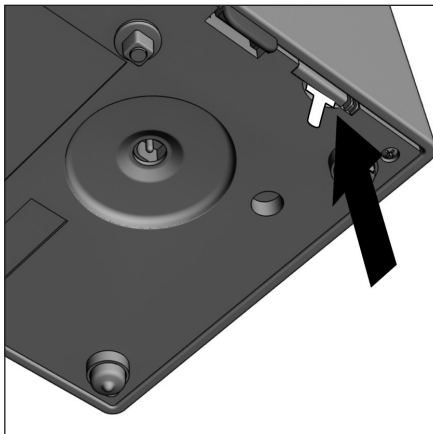
Updated Feb. 03, 2015



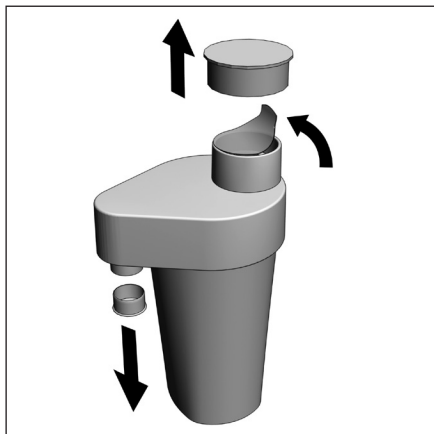
1. To remove cover, locate release tab at bottom of the unit, press in, and lift cover up and off with other hand



2. Remove the yellow battery insulator tab at bottom of appliance.
3. Connect the power cord to the underside of the appliance, and the appropriate, country-specific plug to the power block. Plug the power block into an AC outlet within reach of the location you have chosen for AirQ.



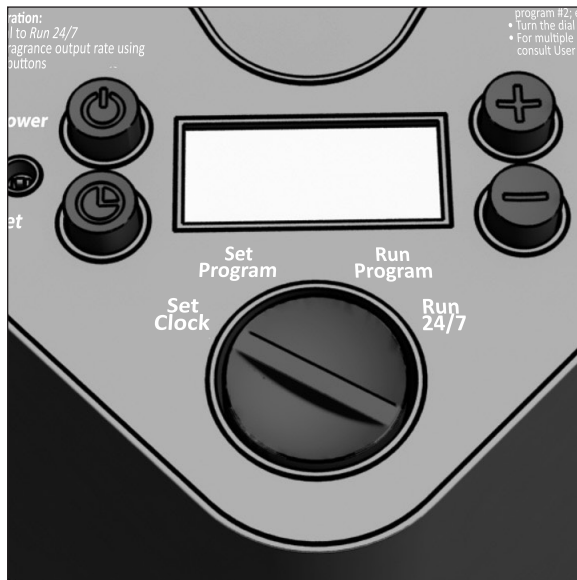
4. Cartridge: remove top screw-off cap and bottom red plug (save these for future storage) and foil seal. Insert cartridge, pressing firmly until cartridge sits in place.



5. To activate cartridge and relieve pressure from shipping: using a tissue or paper towel, press in the stem in the center of the top output chimney; the stem should spring back.

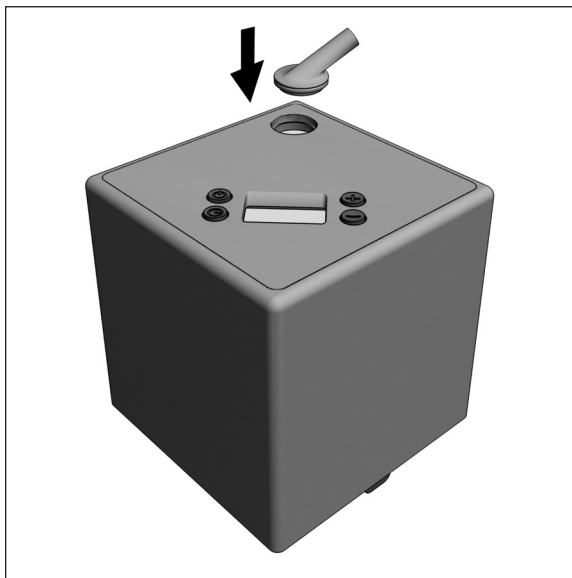


6. Turn power button on. Turn dial to Run 24/7 setting. (For full programming and clock setting instructions, refer to User Guide).



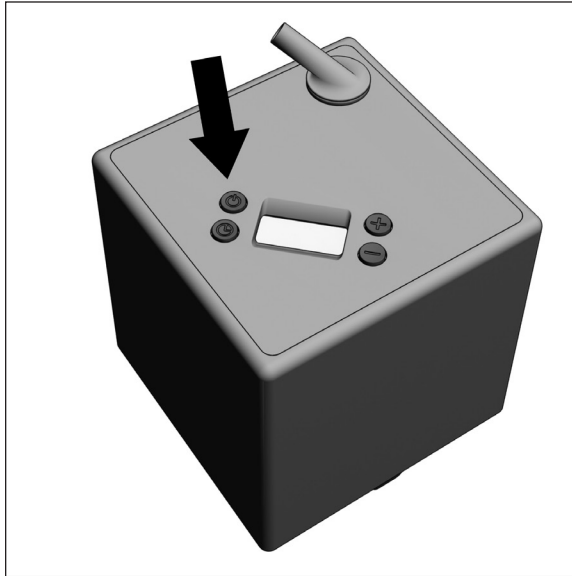
IMPORTANT: Always turn power off when removing and replacing the AirQ cover to prevent pressure build-up in the cartridge. Also, power must be turned off before moving AirQ around to prevent pressure build-up.” Pressure could prevent fragrance from properly plumbing. In the event this should occur, simply reactivate the cartridge as shown on Page 4.

7. Replace cover, carefully aligning with the control buttons; press until cover “clicks” in place. Insert the Director Attachment. Use of the Director Attachment allows AirQ to operate at its most quiet level.



8. Position the AirQ appliance in desired location. AirQ must not be tilted or turned upside down when cartridge is inside; otherwise there will be a spill.

9. A solid blue light in the Power button confirms the appliance is on.



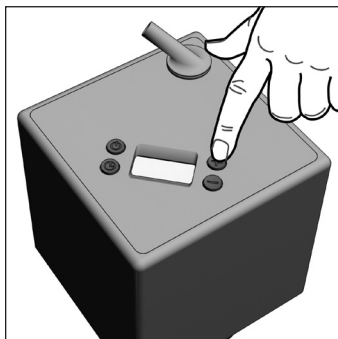
10. Scent Intensity Level: consult Room Size Chart (page 8) for beginning setting.

IMPORTANT

The AirQ scent intensity levels are designed through the use of on and off duty cycles. Therefore, a higher scent intensity setting will cause the unit to cycle on for longer periods of time. A lower scent intensity setting will cause the unit to cycle on for a shorter period of time. For all settings, there will be a cycle off period.

Room Size Chart

Room Type	Room Size (feet)	Starting Level
<i>Closets</i>		
Small	3 x 3	1
Medium	4 x 5	3
Large	5 x 8	6
<i>Bathrooms</i>		
Small	4 x 4	5
Medium	6 x 8	8
Large	8 x 8	10
<i>Bedrooms & Living Rooms</i>		
Small	9 x 10	14
Medium	12 x 15	20
Large	20 x 18	25



Prolitec Product Safety and Support toll-free
1-866-387-4333 or go to **www.airqhome.com**

For online safety instructions, visit
www.airqhome.com